



Automizer ^{ALLEY HAND™} Pendulum Packer

Ideal for Solid and Organic Waste Collection

- 15 yd³ to 37yd³ body sizes available
- “Self-cleaning” Pendulum Packer, no daily clean out behind packer
- Packer cylinders located outside the hopper; easy maintenance; no debris; no contamination
- High tailgate seal and liquid tight hopper
- Zero Kick-Out Alley-Hand™ arm with minimized rocking reduces driver fatigue. *Right-Hand™ arm also available*
- Single piece body walls for increased strength and seamless appearance
- Tapered body for improved compaction and easy unloading
- EnviroLink™ Smarter Collection package available



Body Specifications

Body Floor	0.157" AR450 175,000psi
Body Sides (lower)	10ga A1011 80,000psi
Body Roof	12ga A1011 80,000psi
Tailgate	12ga A1011 80,000psi

Hopper Specifications

Hopper Size (yd ³)	3.3
Hopper Floor	5/16" Hardox 450 175,000psi
Hopper Side	5/16" Hardox 400 140,000psi

Cylinder Specifications

Body Lifting Cylinder (15yd ³ bodies)	4 stages 6-1/16" bore x 132" stroke
Body Lifting Cylinder (20yd ³ bodies)	4 stages 6-1/16" bore x 150" stroke
Body Lifting Cylinder (27-31yd ³ bodies)	4 stages 6-1/16" bore x 180" stroke
Packer Cylinders	5" bore x 3-1/2" rod x 18-1/2" stroke
Tailgate Cylinders	2-1/2" bore x 1-3/4" rod x 39" stroke
Arm Extension Cylinders	1-1/2" bore x 1" rod x 52-15/16" stroke
Grabber Cylinders	1-1/2in bore x 1" rod x 6-3/8in stroke

Hydraulic Specifications

Pump Make & Model	Dual Vane
Pump Capacity	BODY: 20.4 gpm@700 rpm; ARM: 16.3 gpm@700 rpm
Oil Reservoir	84 to 94 gal

Arm Specifications

Arm Lift Capacity	550 lbs
Arm Reach	149.5
Swing out	0"
Arm Controls	Proportional joystick, electric over hydraulic

Packer Specifications

Compaction ratio (lbs/yd ³)	700
Packer Panel Face Plate	5/16" AR400, 140,000psi
Packer Width	62 5/8"
Packer Height	13.5"
Packer Stroke	47.5"

Note: Specifications subject to change without notice



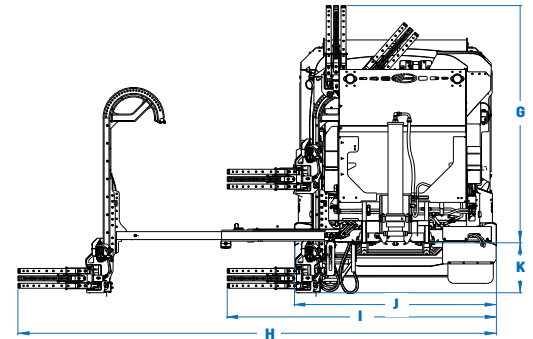
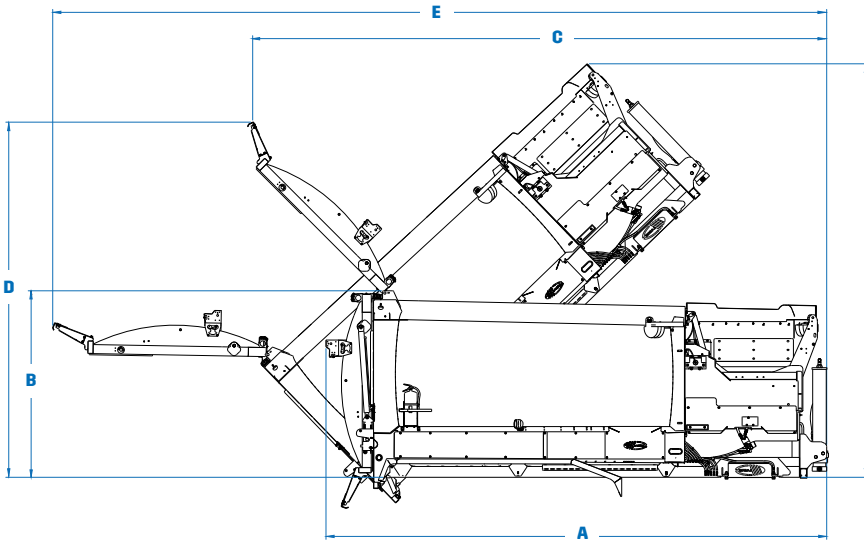
Automizer ALLEY HAND™ Pendulum Packer



Performance Specifications

Arm In (96" reach)	2.0 sec @ 700 rpm
Arm In (144" reach)	3.0 sec @ 700 rpm
Arm Out (96" reach)	2.2 sec @ 700 rpm
Arm Out (144" reach)	3.3 sec @ 700 rpm
Arm Up	4.0 - 5.0 sec @ 700 rpm
Arm Down	3.5 - 4.5 sec @ 700 rpm
Grabber Open	1.5 - 2.0 sec @ 700 rpm
Grabber Close	1.5 - 2.0 sec @ 700 rpm

Packer complete cycle	22 sec @ 700 rpm
Tailgate Open	21 sec @ 700 rpm
Tailgate Close (with Safety Flow limiter)	26 sec @ 700 rpm
Body Up (depending on body size)	30-40 sec @ 700 rpm
Body Down (depending on body size)	15-25 sec @ 700 rpm
Crusher panel Up	5 sec @ 700 rpm
Crusher panel Down	4 sec @ 700 rpm



Body Dimensions

	15yd ³ (15+0)	17yd ³ (15+2)	19yd ³ (15+4)	21yd ³ (15+6)	20yd ³ (20+0)	22yd ³ (20+2)	24yd ³ (20+4)	26yd ³ (20+6)	27yd ³ (27+0)	29yd ³ (27+2)	31yd ³ (27+4)	33yd ³ (27+6)	31yd ³ (31+0)	33yd ³ (31+2)	35yd ³ (31+4)	37yd ³ (31+6)
A. Overall Length, Tailgate Closed (in.)	203	209	222	237	231	237	250	265	271	277	290	305	301	307	320	335
Overall Width (in.)	102	102	102	102	102	102	102	102	102	102	102	102	102	102	102	102
B. Overall Height Above Frame, Tailgate Closed (in.)	103	103	103	103	103	103	103	103	103	103	103	103	103	103	103	103
C. Overall Length, Tailgate Open (in.)	253	253	253	253	281	281	281	281	318	318	318	318	351	351	351	351
D. Overall Height Above Frame, Tailgate Open (in.)	197	197	197	197	197	197	197	197	197	197	197	197	197	197	197	197
E. Overall Length, Dumping Position (in.)	362	362	362	362	390	390	390	390	429	429	429	429	456	456	456	456
F. Overall Height Above Frame, Dumping Position (in.)	183	183	183	183	202	202	202	202	229	229	229	229	243	243	243	243
G. Overall Height Above Frame When Dumping (in.)	111	111	111	111	111	111	111	111	111	111	111	111	111	111	111	111
H. Overall Width, Arm Out, Grabber Closed (in.)	241	241	241	241	241	241	241	241	241	241	241	241	241	241	241	241
I. Overall Width, Arm In, Grabber Closed (in.)	136	136	136	136	136	136	136	136	136	136	136	136	136	136	136	136
J. Overall Width, Arm In, Grabber Open (in.)	102	102	102	102	102	102	102	102	102	102	102	102	102	102	102	102
K. Distance between bottom of Grabber and chassis frame rail (in.)	25	25	25	25	25	25	25	25	25	25	25	25	25	25	25	25



DRIVE EXCELLENCE™

