



FEATHERWEIGHT

A HEAVY HITTER ON A LIGHT PLATFORM



- 30 yd³ to 44 yd³ body sizes available
- Up to 600 lbs/yd³ compaction
- 10,000 lb load rated arms
- 14 sec. complete lift cycle @ 1500 RPM
- 1 Ton (2000 lbs) lighter than a Starlight body
- Perfect balance of performance and versatility for light commercial and residential routes
- Hydraulic valve located streetside for easy access
- Plow shape packer panel for higher compaction and limited debris build-up behind the packer
- Tailgate auto-latch mechanism eliminates leaks and seal wear & tear
- Can be configured for residential cart collection
- Multiplex electrical system with Onboard diagnostic tools for easy troubleshooting
- Fully Integrated Labrie CNG system – roof, frame and tailgate mount – 60 to 97 DGE available

Body Specifications

Body Floor	0.157" AR450 175,000psi
Body Sides	0.118" 100 XF 100,000psi
Body Roof	12ga A1011 80,000psi
Tailgate	12ga A1011 80,000psi

Hopper Specifications

Hopper Size (yd ³)	12
Hopper Width	80"
Hopper Floor	3/16" AR450 175,000psi
Hopper Sides (upper)	0.118" 100 XF 100,000psi
Hopper Sides (lower)	0.157" AR450 175,000psi

Arm Specifications

Arm Construction	10,000 lbs load rated arms
Arm Thickness	4"
Arm Side Plates	1/4" 100 XF 100,000psi
Arm Lifting Capacity	8,000 lbs

Fork Specifications

Forks Thickness	1" Weldox 700 100,000psi
-----------------	--------------------------

Packer Specifications

Compaction ratio (lbs/yd ³)	600
Packer Panel Lower Face Plate	3/16" AR450 175,000psi
Packer Panel Upper Face Plate	0.157" AR450 175,000psi
Bottom Packer Wear Shoes	3/8" AR450 175,000psi (Chromium optional)

Hydraulic Specifications

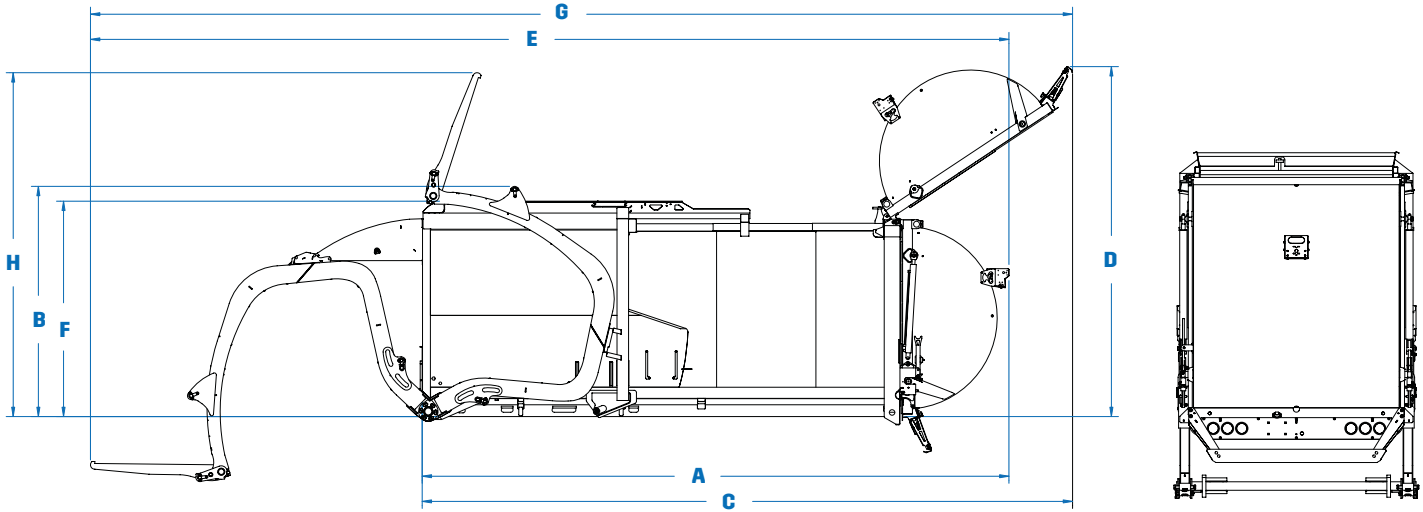
Pump Make & Model	Muncie Live Pak (gear)
Pump Capacity	60 gpm @ 1500 rpm
Max. Operating Pressure	2,500 psi
Oil Reservoir	74 gal

Cylinder Specifications

Packer Cylinders (30yd ³ bodies)	3 stages 5-1/2" bore x 133-9/16" stroke
Packer Cylinders (34yd ³ bodies)	3 stages 5-1/2" bore x 167-13/16" stroke
Packer Cylinders (38yd ³ bodies)	3 stages 5-1/2" bore x 181-1/2" stroke
Arm Cylinders (8,000 lbs Lifting capacity)	4-1/2" bore x 2" rod x 45-3/8" stroke
Fork Cylinders	3-1/2" bore x 1-3/4" rod x 18-7/8" stroke
Tailgate Cylinders	2-1/2" bore x 1-3/4" rod x 39" stroke
Top Door Cylinder	2-1/2" bore x 1-1/2" rod x 92" stroke

Note: Specifications subject to change without notice





Body Dimensions	32yd ³ (30+2)	34yd ³ (30+4)	36yd ³ (30+6)	36yd ³ (34+2)	38yd ³ (34+4)	40yd ³ (34+6)	40yd ³ (38+2)	42yd ³ (38+4)	44yd ³ (38+6)
A. Overall Length with Arms Stowed. Tailgate Closed (in.)	245	260	275	269	284	299	296	311	326
Overall Width (in.)	102	102	102	102	102	102	102	102	102
B. Overall Height Above Frame with Arms Stowed. Tailgate Closed (in.)	118	118	118	118	118	118	118	118	118
C. Overall Length with Arms Stowed. Tailgate Open (in.)	308	308	308	331	331	331	358	358	358
D. Overall Height Above Frame with Arms Stowed. Tailgate Open (in.)	178	178	178	178	178	178	178	178	178
E. Overall Length With Arms/Forks Down. Tailgate Closed (in.)	414	429	444	438	453	468	465	480	495
F. Overall Height Above Frame With Arms/Forks Down. Tailgate Closed (in.)	110	110	110	110	110	110	110	110	110
G. Overall Length With Arms/Forks Down. Tailgate Open (in.)	476	476	476	500	500	500	527	527	527
H. Overall Height Above Frame with Arms Stowed/Forks Up. Tailgate Closed	175	175	175	175	175	175	175	175	175

Performance Specifications

Arms Up	12 - 14 sec @ 700 rpm
Arms Down	10 - 12 sec @ 700 rpm
Forks Up	3.5 - 4.5 sec @ 700 rpm
Forks Down	3.5 - 4.5 sec @ 700 rpm
Packer Extend	14 - 18 sec @ 1500 rpm
Packer Retract	5 - 6 sec @ 700 rpm
Top Door complete cycle	13 - 17 sec @ 700 rpm
Tailgate Open	21 sec @ 700 rpm
Tailgate Close (with Safety Flow limiter)	26 sec @ 700 rpm



labriepius
SERVICE & PARTS

DRIVE EXCELLENCE

labrie