

GALBREATH QUALITY

Standard Features



3 micron (pictured at right) filtration system with dual viscosity oil reduces contamination, required maintenance and down time



Automatic front container spring-loaded locking system and rear container hold-downs help ensure container remains in place



"Plug n' Play" wiring system eliminates crossed wires, loose connections, corrosion and splices; allows for easy light replacement



Oil reservoir is filter cart ready, reducing maintenance costs



Air assist ICC bumper



Hoist frames are huck bolted to chassis, providing unmatched strength and durability (factory mount only)

Available Options



Rear skid plate with outboard supported rollers



Optional rear ratchet straps on all cable models



Pintle ready rear aprons allow for the addition of a pintle hook and easy upgrade to a trailer package

AVAILABLE OPTIONS

- Reverse cylinder mount
- Pintle hook applications
- Various fender selections
- Auxiliary hydraulic hook-ups
- Scale systems
- Pioneer Rack 'n Pinion tarping systems

TRUCK SPECIFICATIONS

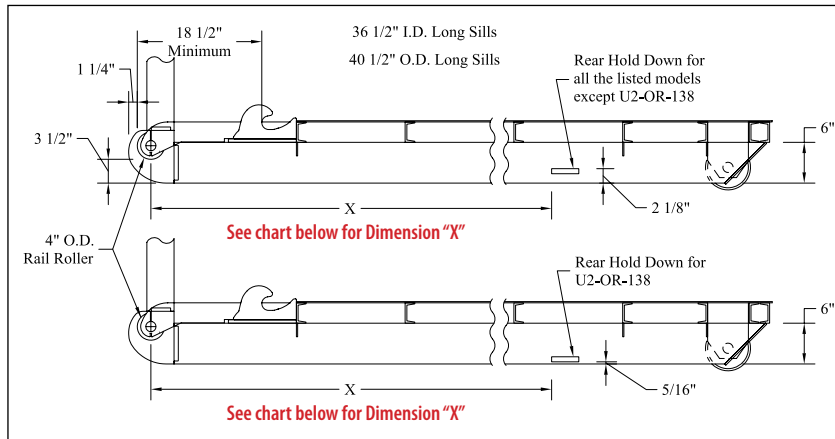
Single axle:

- Front axle: 9,000 lbs. (min.) capacity
- Rear axle: 22,400 lbs. (min.) capacity
- 50,000 psi or more chassis frames
- Minimum section modulus = 17.5 in.³

Tandem axle:

- Front axle: 18,000 lbs. (min.) capacity
- Rear axle: 44,000 lbs. (min.) capacity
- 50,000 psi or more chassis frames
- Minimum section modulus = 24 in.³

CONTAINER REQUIREMENTS



DIMENSION "X"*								
CONTAINER LENGTHS								
MODEL	12 ft.	13 ft.	14 ft.	15 ft.	16 ft.	17 ft.	18 ft.	19 ft. +
All (except U2-EX/IO/OR-138 & U3-EX/IO/OR-156)	Additional info. needed	145 1/2"	145 1/2"	149"	149"	173"	173"	191"
U2-EX/IO/OR-138	Length not recommended	Length not recommended	158"	158"	158"	158"	158"	Length not recommended
U3-EX/IO/OR-156	Length not recommended	Length not recommended	149"	173"	173"	173"	173"	173"

* Dimension "X" is center of rail roller to front of rear hold down

NOTE: Tolerance for all models is +1" / -0" except where container lengths are not recommended or where more information is required.



Tel: 800.285.0666 | sales@wastequip.com | www.wastequip.com

Wastequip is the leading North American manufacturer of waste and recycling equipment for collecting, processing and transporting recyclables and solid or liquid waste. September 2012 © Wastequip, all rights reserved. Specifications subject to improvement without notice. Equipment displayed should be operated by properly trained personnel. Operators should become familiar with OSHA, ANSI and any other applicable standards or laws for using this equipment. Improper use, misuse, or lack of maintenance could cause injury to people and/or property. Photos used in the literature are illustrative only. We assume no liability or responsibility for proper training/operation of equipment not manufactured by Wastequip. We reserve the right to make changes at any time without notice. Information contained within this literature is intended to be the most accurate available at time of printing.

ROLL-OFF CABLE HOISTS



Tel: 800.285.0666 | sales@wastequip.com | www.wastequip.com



Outside Rail (OR) roll-off cable hoists are the most common and versatile hoists in use today.

» **30,000 to 75,000 lb. capacity**

» **Single and tandem axle**

OR SERIES

STANDARD FEATURES

Ease of operation

- Centered cab-mount Power Tower
- Plug n' Play wiring system
- Pintle ready rear aprons
- Standard inside air control

Safety

- Automatic front container spring-loaded locking system and rear container hold-downs
- Heavy-duty safety props
- Fold-up ICC bumper
- Backup alarm and hoist up alarm with signal light on dash
- Optional hoist up speed-limiting parameters

* **Factory mount models**

Durability

- 3 micron filtration system with dual viscosity oil
- Two part epoxy primer and paint*
- Field tested heavy duty rear hinge
- Hoist frames are huck bolted to chassis*
- Shock-absorbing sub-frame
- Oil reservoir is filter cart ready
- LED lighting
- Lifetime warranty on frame and two-year warranty on hydraulics

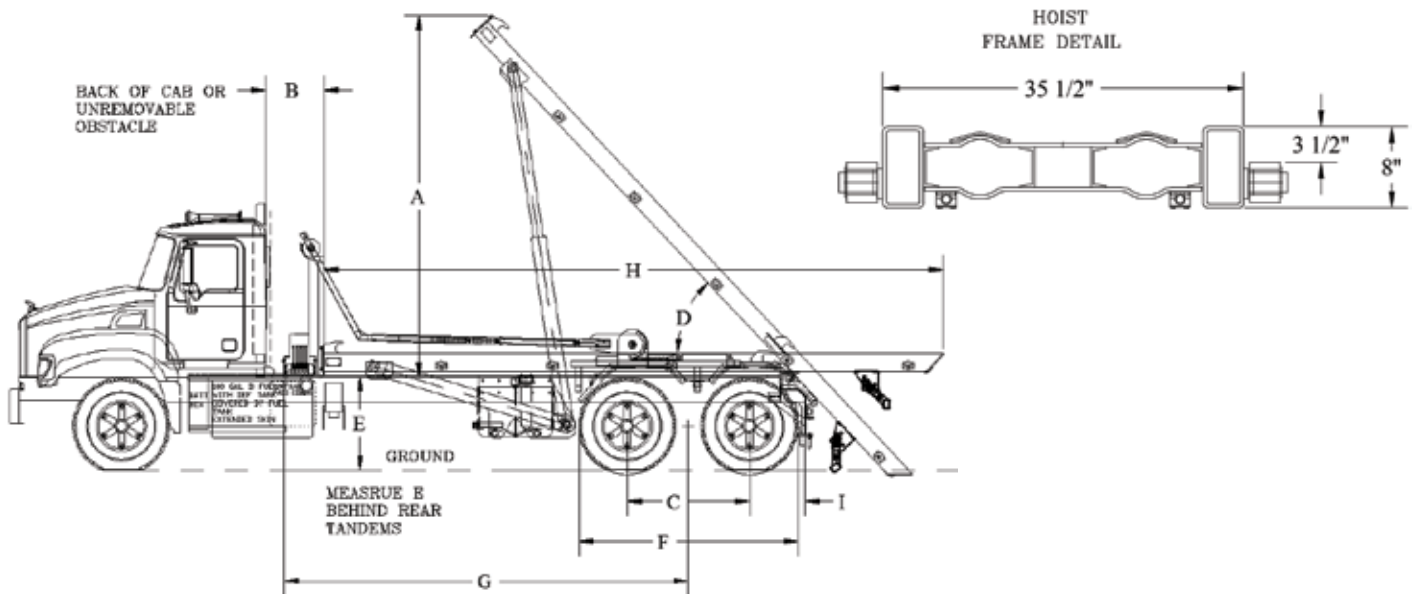
Quality

- Lean manufacturing process, along with engineering, solid modeling and stress analysis testing, ensure quality, consistent product every time
- Customized engineering layouts are created based on customers' chassis to ensure compatibility

AVAILABLE OPTIONS

- Reverse cylinder mount
- Pintle hook applications
- Various fender selections
- Auxiliary hydraulic hook-ups
- Scale systems
- Pioneer Rack 'n Pinion tarping systems

SPECIFICATIONS



Notes for chart below:

- 1 When recommending container lengths, weight distribution, fender interference and overhang are factors
- 2 Factory tested with recommended container length and water level load
- 3 Frame = top of truck chassis frame
- 4 This distance does not allow for a behind-the-cab oil reservoir, tarper platform and room to add a tarper. Must add distance for these items
- 5 Using 22.5" tires only. For larger tires, consult representative

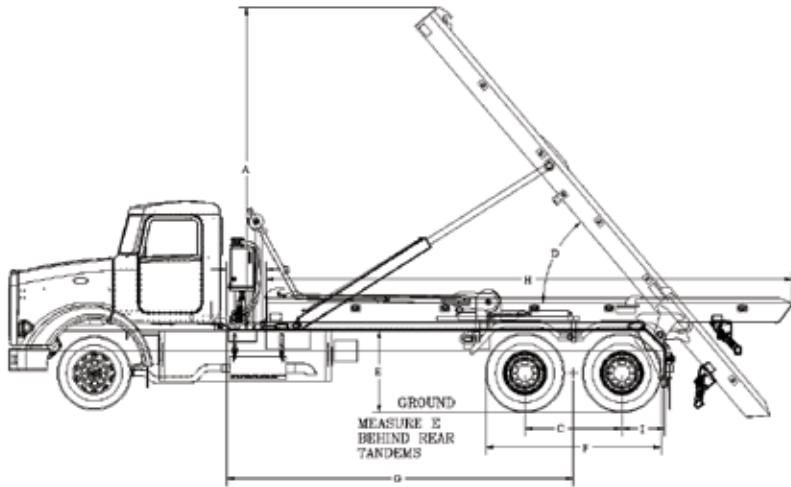
	U3-OR-156	U5-OR-174	U5-OR-194	UT-OR-1
FEATURE	SINGLE AXLE	TANDEM AXLE	TANDEM AXLE	TANDEM AXLE
Recommended container size ¹	14'-20'	18'-22'	20'-24'	18'-22'
Rated capacity ²	30,000 lbs.	60,000 lbs.	60,000 lbs.	60,000 lbs.
A - Height above truck frame ³	156 3/4"	162 1/2"	180 7/8"	164"
B - Back of cab to hoist ⁴ (add 12" for tarper or hard plumbing)	6"	6"	6"	6"
C - Axle spread	n/a	51-55"	51-55"	51-55"
D - Raised dump angle	51°	47°	48°	48°
E - Top of truck frame to ground ^{3,5}	42"	46"	46"	46"
F - Tire OD to OD	n/a	96" max	96" max	96" max
G - Cab to Trunnion (CT) (add 12" for tarper or hard plumbing)	156"	174"	194"	174"
H - Hoist length	246"	280"	300"	280"
I - After frame Add 2" for air ride	37 1/4"	23"	23"	23"
Lift cylinders DA = double acting DAT = double acting telescopic	5" x 3" x 54" DA	6" x 4" x 72" DA	6" x 5" x 114" DAT	6-5-4" X 118"
Lift cylinders shaft	1 1/2" solid	2 1/2" solid	2 1/2" solid	2 1/2" solid
Winch cylinders DA = double acting	5" x 3" x 66" DA	7" x 4" x 80" DA	7" x 4" x 90" DA	7" x 4" x 80"
Approx. weight with standard features	5,900 lbs.	7,562 lbs.	8,206 lbs.	7,791 lbs.

FEATURES	SINGLE AXLE	TANDEM AXLE
Hoist frame	8" x 3" x 3/8" A500 grade C tubing	8" x 4" x 1/2" A500 grade C tubing
Subframe	4" x 3" x 1/4" A500 grade C tubing	3" x 2" x 3/16" A500 grade C tubing
Front stop	1 1/2" plate steel	1 1/2" plate steel
Front safety lock	Automatic spring loaded	Automatic spring loaded
Hinge shaft	1 1/2" solid steel	2 1/2" solid steel
Cable anchors	4 cable clamps	4 cable clamps
Cable end	Pear eye	Swaged end swivel eye
Rear hold downs	1/2" plate located for standard Wastequip containers	3/4" plate located for standard Wastequip containers
Operating pressure	1,850 psi	1,850 psi
Hydraulic pump	Gear type 17.5 gpm @ 1,500 rpm	Gear type 35 gpm @ 1,500 rpm
Hydraulic valve	2 spool / 25 gpm with safety bypass	2 spool / 45 gpm with safety bypass
Oil reservoir	20 gallon with 3 micron filter and fill	50 gallon with 3 micron filter and fill
Outside rollers	4" OD with bronze bearings	4" OD with bronze bearings
Cable sheaves	10" OD with bronze bearings	10" OD with bronze bearings
Working points	Greasable	Greasable
Chassis front axle	9,000 (min.) capacity with power steering	18,000 (min.) capacity with power steering
Chassis rear axle	22,400# capacity (min.)	44,000# capacity (min.)
Frame modulus	50,000 PSI or more chassis frames - minimum section modulus = 17.5 in ³	50,000 PSI or more chassis frames - minimum section modulus = 24 in ³
Torque required	103 foot pounds of torque	248 foot pounds of torque

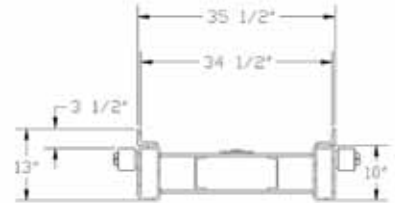
	UT-OR-194	U75-OR-174	U75-OR-194	UH-OR-174	UH-OR-194
AXLE	TANDEM AXLE	TANDEM AXLE	TANDEM AXLE	TANDEM AXLE	TANDEM AXLE
	20'-24'	18'-22'	20'-24'	18'-22'	20'-24'
lbs.	60,000 lbs.	75,000 lbs.	75,000 lbs.	75,000 lbs.	75,000 lbs.
	178 3/4"	162 3/8"	178 3/4"	163 5/16"	178 1/2"
	6"	6"	6"	6"	6"
	51-55"	51-55"	51-55"	51-55"	51-55"
	48°	47°	48°	47°	47°
	46"	46"	46"	46"	46"
x	96" max	96" max	96" max	96" max	96" max
	194"	174"	194"	174"	194"
	300"	280"	300"	280"	300"
	23"	23"	23"	23"	23"
3" DAT	6-5-4" X 118" DAT	7" x 4" x 72" DA	6-5-4" X 118" DAT	6-5-4" X 118" DAT	6-5-4" X 118" DAT
lid	2 1/2" solid	2 1/2" solid	2 1/2" solid	2 1/2" solid	2 1/2" solid
" DA	7" x 4" x 90" DA	7" x 4" x 80" DA	7" x 4" x 90" DA	7" x 4" x 80" DA	7" x 4" x 90" DA
lbs.	8,068 lbs.	8,242 lbs.	8,886 lbs.	8,471 lbs.	9,115 lbs.

HOIST DRAWINGS

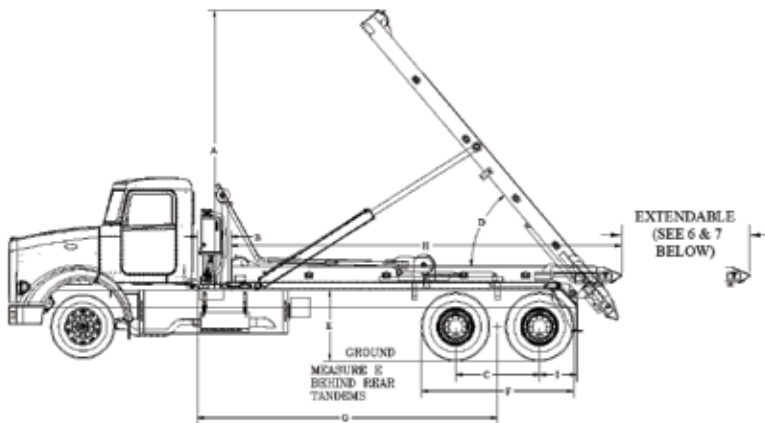
IO Series



HOIST
FRAME DETAIL

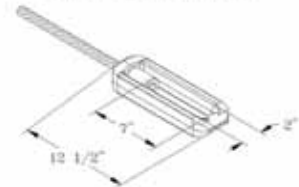


EX Series

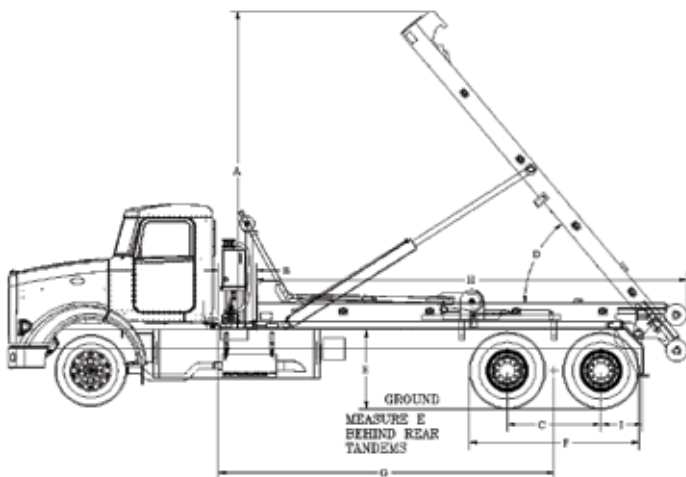


HOIST
FRAME DETAIL

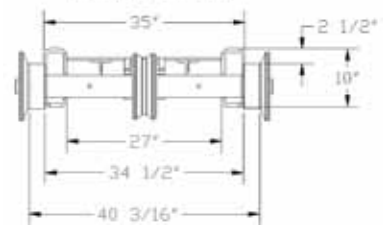
SWIVEL CABLE END



HH Series



HOIST
FRAME DETAIL



KNUCKLE CABLE END